

# EXAMINATIONS COUNCIL OF SWAZILAND

## Junior Certificate Examinations

CANDIDATE  
NAME

--

CENTRE  
NUMBER

--	--	--	--	--

CANDIDATE  
NUMBER

--	--	--	--	--

---

**AGRICULTURE**

**516/02**

Paper 2

**October/November 2018**

**1 Hour 45 Minutes**

---

**READ THESE INSTRUCTIONS FIRST**

Write your Centre number, candidate number and name on the answer sheet provided.

Answer all questions on the question paper by completing each question as instructed.

This paper consists of **two** sections. **Section A and Section B.**

**Section A** consist of simple response questions worth 50 marks.

**Section B** consist of **three** essay questions of which you are expected to answer any **two** essays worth 25 marks each.

Answer on the lines provided.

Work quickly. If a question seems hard, skip it and come to it later.

For Examiner's Use	
Section A	
Section B	

---

This document consists of **16** printed pages.

**Section A: Simple Response Questions**

Answer **all** questions (50 Marks)

1 (a) What is mixed farming?

.....  
.....[1]

(b) Give an advantage of mono-cropping.

.....  
.....[1]

(c) Suggest **two** ways in which commercial farming may be harmful to the land?

(i).....  
.....

(ii).....  
.....[2]

**[Total: 4 marks]**

2 (a) What is the impact of climate change on agricultural activities?

(i).....

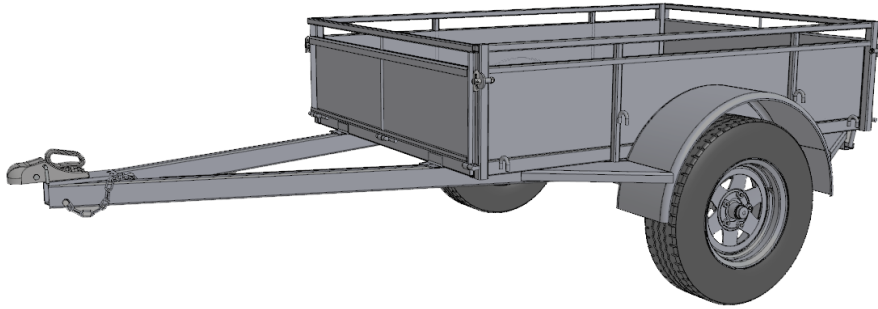
(ii).....[2]

(b) Explain how soil pollution can affect crop production in Swaziland.

.....  
.....  
.....[2]

**[Total: 4 marks]**

3 Figure 3.1 shows a mechanical device.



**Fig 3.1**

(a) Name the mechanical device indicated in figure 3.1  
 .....[1]

(b) What is the importance of lubricating the moving parts of the mechanical device?  
 .....[1]

(c) Describe the use of the mechanical device shown in figure 3.1.  
 .....  
 .....  
 .....[2]

**[Total: 4 marks]**

4 (a) Which weather condition is suitable for transplanting vegetable seedlings?  
 .....  
 .....[1]

(b) Why is thinning an important management practice?  
 .....  
 .....[1]

(c) Explain why it is import to harvesting on time?

.....  
.....  
.....[2]

[Total: 4 marks]

5 (a) List the **three** steps of land reclamation.

(i).....  
(ii).....  
(ii).....[3]

(b) Explain the role of water in crops.

.....  
.....  
.....[2]

[Total: 5 marks]

6 (a) Name any **one** supplier for broilers in Swaziland.

.....[1]

(b) What is the importance of a brooder to chicks?

.....[1]

(c) Suggest any **two** ways in which keeping layers can benefit a family.

(i).....  
(ii).....[2]

[Total: 4 marks]

7 (a) Figure 7.1 is a diagram of a heap compost.

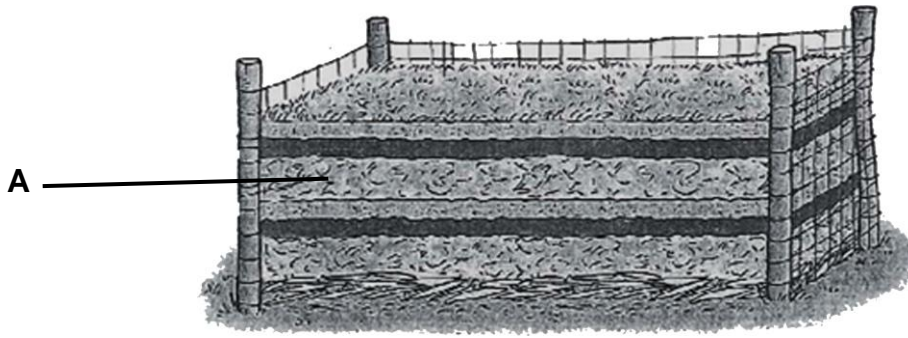


Fig 7.1

(i) Name layer A on the diagram.

.....[1]

(ii) What is the purpose of turning the compost more often?

.....[1]

(b) Explain how soil fertility can be maintained.

.....  
.....[2]

[Total: 4 marks]

8. (a) Outline **two** health effects of parasites on cattle.

(i).....

(ii)..... [2]

(b) Explain any **two** benefits of a cultivated pastures?

(i).....

.....

(ii).....

..... [2]

[Total: 4 Marks]

9. Figure 9.1 is a diagram of a hive.

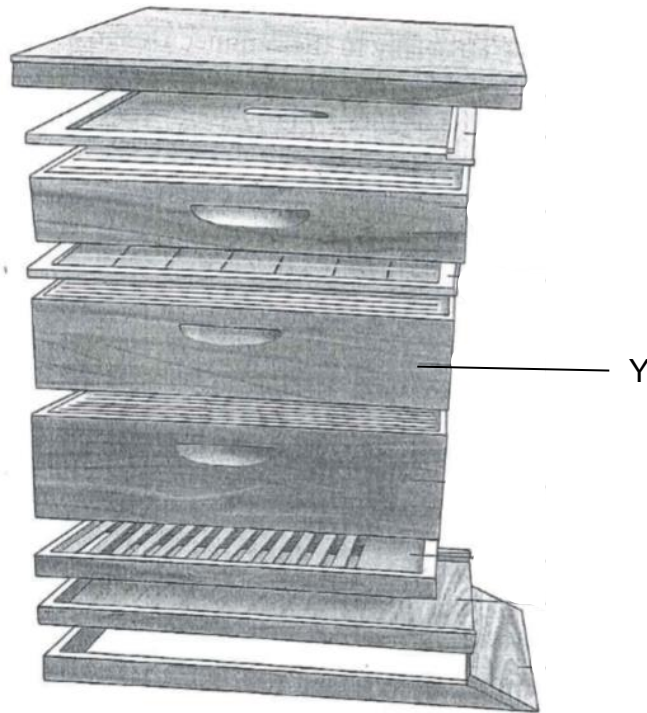


Fig 9.1

(a) Label part Y on the diagram.

..... [1]

(b) Describe the **two** ways in which honey bees communicate.

(i).....

(ii)..... [2]

(c) Suggest any **two** safety precautions when keeping honeybees.

(i).....

(ii)..... [2]

[Total: 5 marks]

10. (a) Outline the importance of agro-forestry.

.....

..... [2]

**(b)** Discuss the establishment of a nursery.

.....  
.....  
..... [2]

**[Total: 4 marks]**

**11. (a)** Why is planning important in farm business?

.....[1]

**(b)** What are the factors that influence decision making in a farm business?

**(i)**.....  
**(ii)**.....  
**(iii)**.....[3]

**[Total: 4 marks]**

**12. (a)** Explain the role of transpiration in plants?

.....  
.....  
.....[2]

**(b)** Describe respiration in plants?

.....  
.....  
.....[2]

**[Total: 4 Marks]**



















